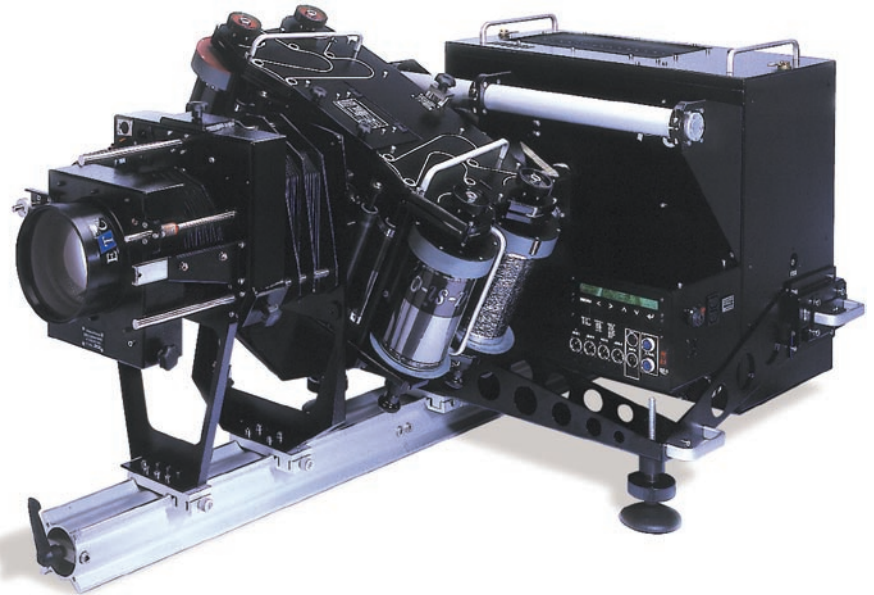


PIGI®

DDRa

Automated Rotating Double Scroller



Technical information

The **PIGI**® Automated Rotating Double Scroller (DDRa) projector, designed by **EVC Audiovisuel**, is the optimum solution for your giant image projections.

This 5/7kW Xenon projector combines the techniques of scrolling film with the facility of rotation of images through 360° controlled by **Onlycue**® software or **DMX**.



THE ELECTRIC CANVAS

PM PRODUCTION DESIGN & MANAGEMENT PTY LTD trading as THE ELECTRIC CANVAS
Unit 6, 9-11 Chaplin Drive Lane Cove NSW 2066 Australia
Phone: +61 2 9420 8817 Fax: +61 2 9420 8892
Email: info@theelectriccanvas.com.au www.theelectriccanvas.com.au

Automated Rotating Double Scroller

Characteristics:

The PIGI® DDRA projector enables the simultaneous scrolling of two independent films which can be continuously rotated through 360° at variable speeds.

The rotation is extremely precise because its programming is determined by parameters of time and position.

The mechanical positioning system of the two superimposed films is slaved by optical encoders with the precision of one 100th of a millimetre. The very broad range of speeds allows scrolling from one millimetre per minute to ultra-fast positioning of approximately one metre per second, allowing practically instantaneous changes of view.

Each scroller can carry up to 20 metres of film (40 metres in total). The image has a usable format of 155mm x 155mm.

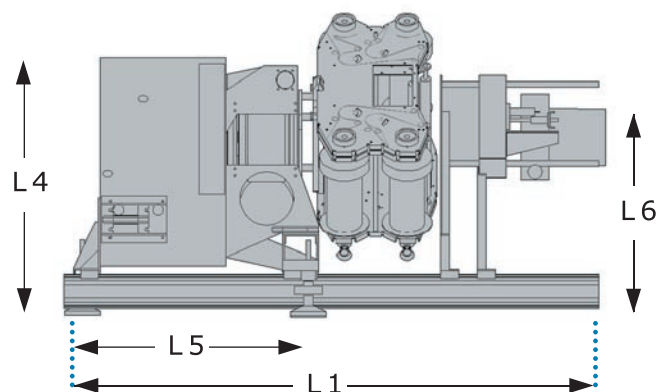
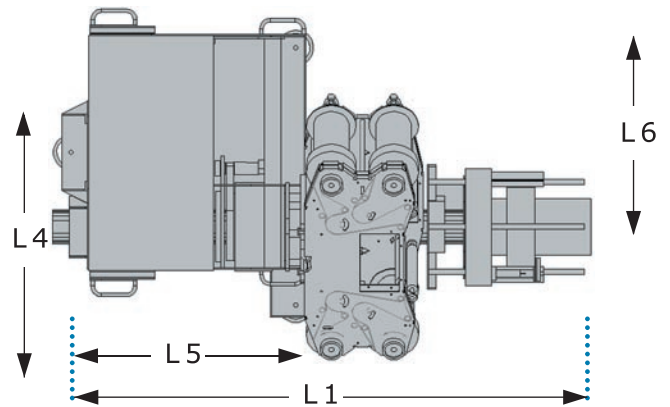
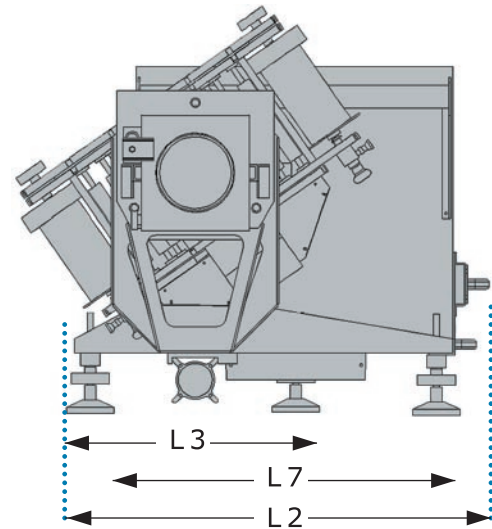
The lens holder, which accepts all current large-format lenses, is slaved to and controlled by **Onlycue®** software, allowing the operator to pull focus from soft to sharp.

The PIGI® power supply is a 5/7kW high-performance, compact and lightweight, resonant electronic supply. It is programmable by the 0-10 volt input in a range from 3000 to 8000 watts. Being able to control the power of the projectors on-site (for rehearsals, shows, different image sizes, etc.) can help to economise the life of the lamp and film.

All functions of the PIGI® DDRA are directly accessible on the machine itself. A back-lit display, two lines of characters and a keypad give access to a configuration menu and control of the device.

The system inputs are compatible with both PIGI® and DMX signals. Multiple projectors work in perfect synchronisation via the Pigi control software **Onlycue®**, or directly via DMX. The user-friendly **Onlycue®** software can control up to 20 projectors per standard PC serial port (RS 422). On DMX, the 16-bit control maintains an extremely high precision of film positioning as well as perfectly fluid scrolling. When using SMPTE or MIDI control protocols, the PIGI® DDRA reproduces meticulous performances day after day when operating alongside other show elements.

It is possible to fit a controlled rear foot that is programmable by **Onlycue®** software or **DMX**.



Specifications:

Dimensions (mm):	Weight (kg):	Power requirements:
L1 = 1550 to 2000 f: 95 to f: 1000	Lamp house = 105	Option A: 380v 50Hz - 3-phase, neutral plus ground
L2 = 950 L3 = 950	Double Scroller = 35	Option B: 208v 60Hz - 3-phase, plus ground
L4 = 900 L5 = 950	Automatic lens holder = 15	
L6 = 510 L7 = 950	Power supply = 40	